
C131A technical specification

1.Parameter table.....	2
2. Appearance.....	3
3.2 Power connector.....	6
3.3 Extended Interface.....	7
4.Dimensional drawings.....	9
4.1 Overall dimensions.....	9
4.2 Installation.....	10
Attachment: Packaging and physical dimensions.....	11

Cosofteck Copyright

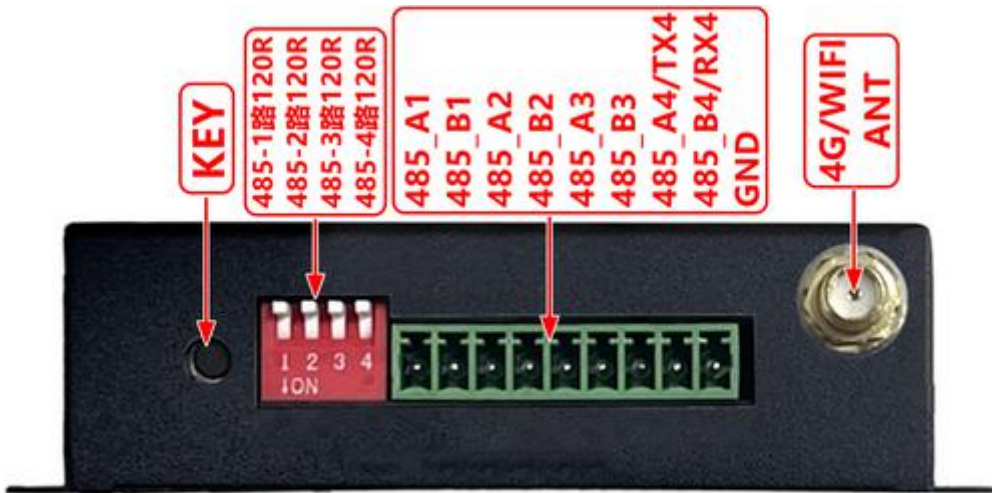
1.Parameter table

Product Specification	
CPU	ARM Cortex-A7 Dual Core Processor , 1.2GHz
RAM	8GB EMMC Flash
Extended Storage	TF Card
Ethernet	2-way wired 10/100M
WIFI	WIFI 802.11 a/b/g/n (Optional)
serial port (computing)	RS485 x 4 or (1 RS232 +3 485)
RTC	Real time clock
4G	LTE Cat1, Standard SIM card; (Optional) Supported Frequency Bands: LTE-FDD : B1/B3/B5/B8 LTE-TDD : B34/B38/B39/B40/B41;
power supply	8V~30V ;(an official) standard 12V/1A; <4W
Product Size	
Overall size	114.3×105.5×24.8mm

2. Appearance



front view



3. Hardware Interface

3.1 Performance Overview

◆ Electrical Performance Parameters

Properties	Conditions	Min	TYP	Max	Unit
Power Voltage	—	8.0	12.0	30	V
Operation Current	VCC=+12V, no external device operation	—	200	—	mA

◆ Operating environment and reliability parameters

Properties	Conditions	Min	TYP	Max	Unit
Working Temperature	60%RH at 12V voltage	-30	25	70	°C
Storage Temperature	—	-40	25	85	°C
Working Humidity	25°C	10%	60%	90%	RH
Protective Paint	—	—	None	—	—
ESD protection Level	Class 3				

◆ Interface performance parameters

Properties	Conditions	Min	TYP	Max	Unit
UART RS232 Baud rate	User set	300	—	115200	bps

Output Voltage	Output 1	—	-5.0	—	V
	Output 0	—	5.0	—	V
Input Voltage	Input 1	—	-5.0	—	V
	Input 0	—	5.0	—	V
Serial port 4-way RS485 baud rate	User set	300	—	57600	bps
Serial port level V_AB	Output 1	2.5	5.0	—	V
	Output 0	—	-5.0	-2.5	V
Serial port level V_AB	Input 1	0	2.5	—	V
	Input 0	—	-2.5	-0.2	V

3.2 Power connector

- provides a 3PIN 5.08mm pitch terminal connection, terminal model number: KF2EDGK-5.08-3P. 12V DC power supply access is recommended, and a wide voltage range of 8V~30V can be supported.



Pin	Description	Remark
1	DCIN (+)	12V Input(8-30V)
2	Power GND	
3	PE	GND

3.3 Extended Interface

- Provides 4 channels of RS485, 1 channel of RS232 (multiplexed with 1 channel of RS485) connected via 9PIN 3.5mm pitch single layer Phoenix terminal blocks.

The terminal model number is: KF2EDGK-3.5-9P

-



Pin	Description	Equipment name
1	RS485_A1	RS485-1
2	RS485_B1	
3	RS485_A2	RS485-2
4	RS485_B2	
5	RS485_A3	RS485-3
6	RS485_B3	
7	RS485_A4 / RS232_TX4	RS485-4 / RS232
8	RS485_B4 / RS232_RX4	
9	GND	/

Note: RS232 and RS485_4 are using the same device node, and only one of them can be selected.

- **120R Termination Matching Resistors**

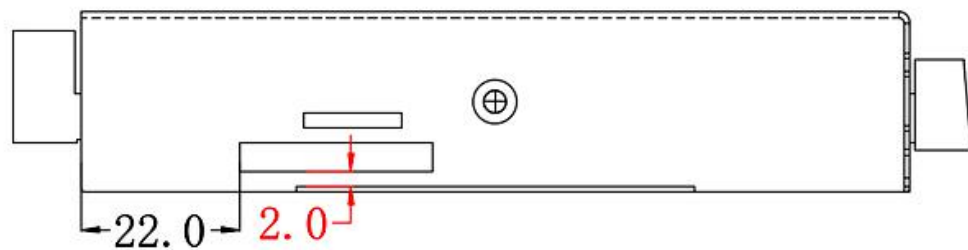
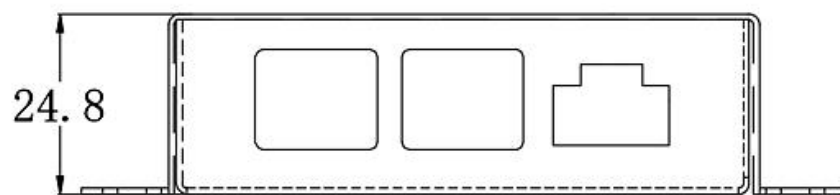
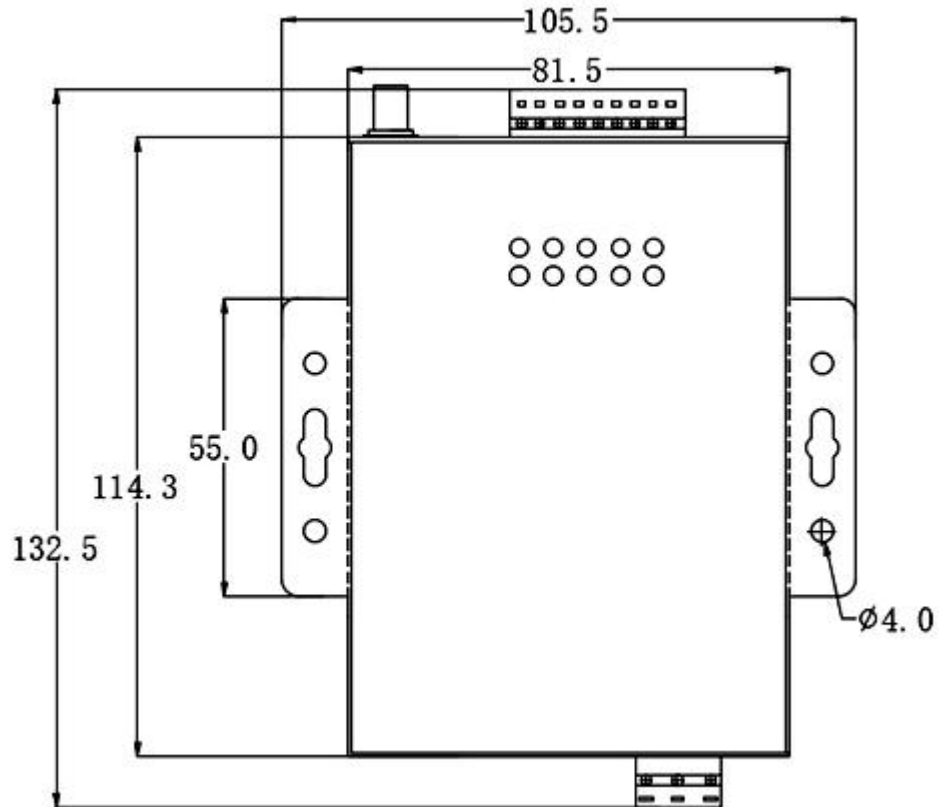


Pin	Dipswitch ON	Dipswitch OFF
1	485-1 with 120R terminating resistor	485-1 without 120R terminating resistor
2	485-2 with 120R terminating resistor	485-2 without 120R terminating resistor
3	485-3 with 120R terminating resistor	485-3 without 120R terminating resistor
4	485-4 with 120R terminating resistor (Invalid for 232 port)	485-4 without 120R terminating resistor (Invalid for 232 port)

Cosofteck Copyright

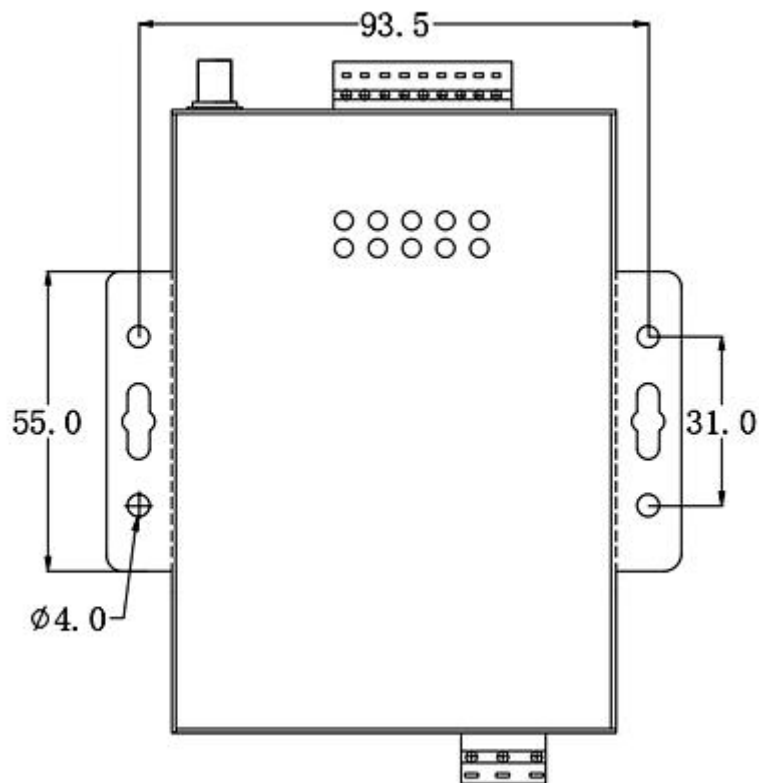
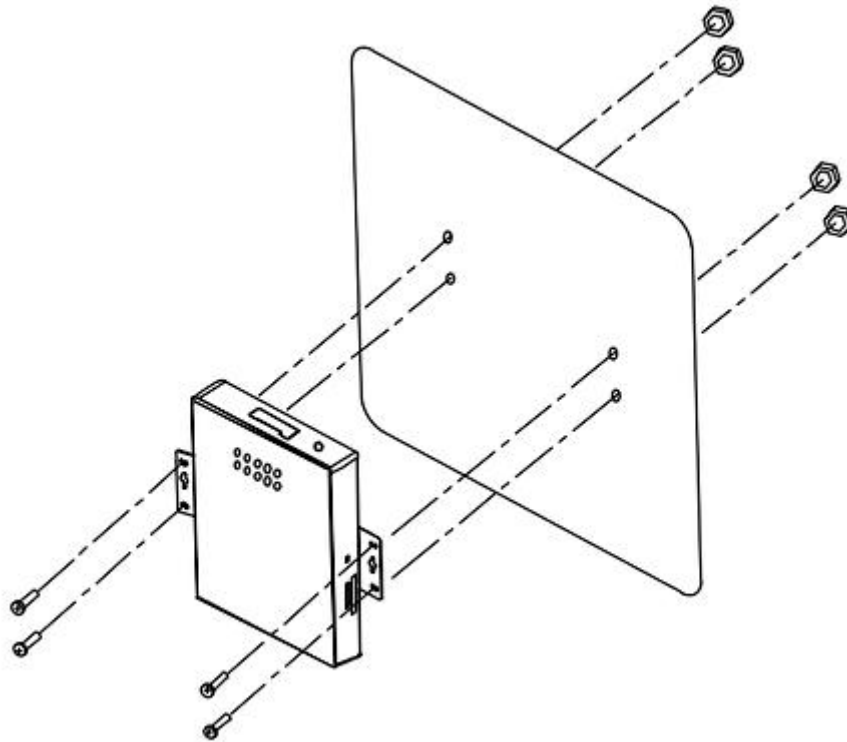
4. Dimensional drawings

4.1 Overall dimensions



1. 单位: MM
2. 未注公差 ± 0.3 mm

4.2 Installation



Attachment: Packaging and physical dimensions

Size				
Product Form Factor	114.3(L)x105.5(W)x24.8mm			
Product net weight	280g			
Packaging standards				
Box type	Box size	Number of storeys layers	Quantity/layers	Total
Aircraft Box	15cm(L)×14.3cm(W) ×6.6cm(H)	1	1	1